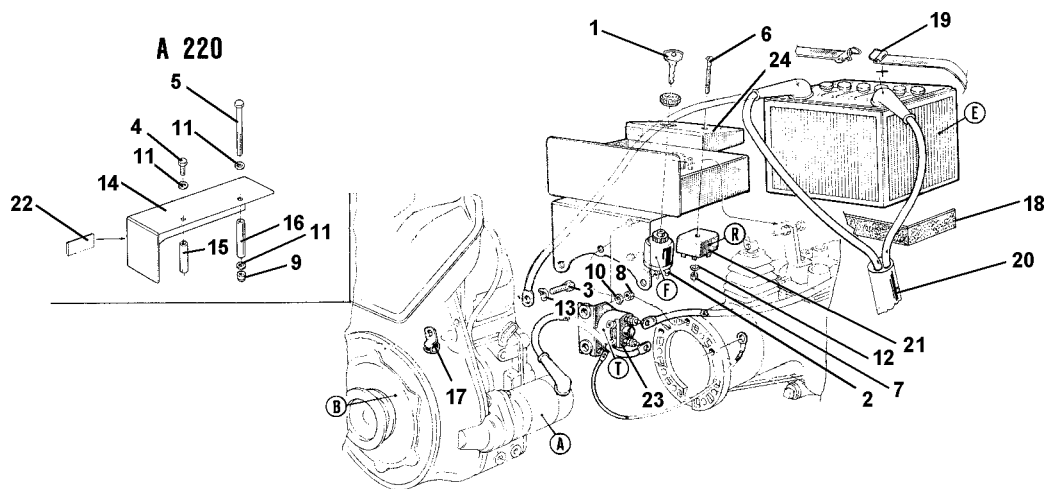


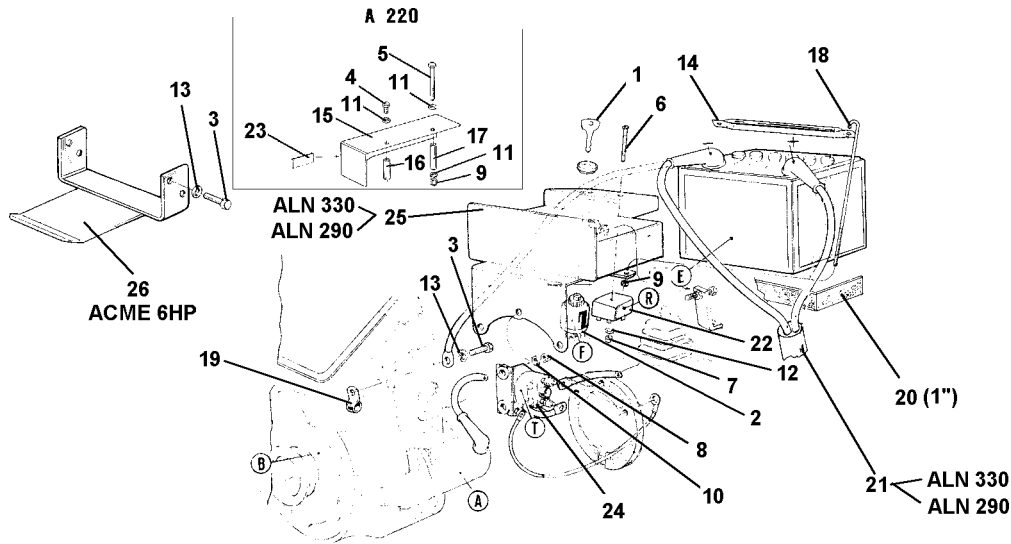


A M E R I C A



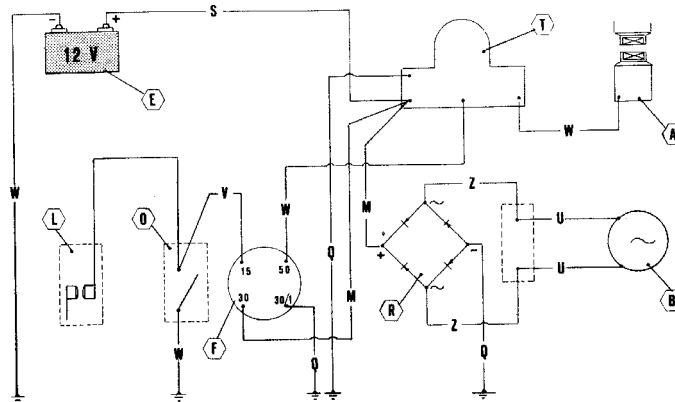
CIRCLED LETTERS REFER TO SCHEMATIC

| ID | PART NO | DESCRIPTION | DENOMINACION | NOTES |
|----|-----------|----------------------------|--------------------------------|-------|
| 1 | 300.00276 | KEY | LLAVE | |
| 2 | 300.00277 | SWITCH | INTERRUPTOR | |
| 3 | 311.11151 | SCREW M8 X 16 | TORNILLO M8 X 16 | |
| 4 | 311.12082 | SCREW M6 X 12 | TORNILLO M6 X 12 | |
| 5 | 311.12094 | SCREW TE M6 X 65 | TORNILLO TE M6 X 65 | |
| 6 | 311.61043 | SCREW TC M4 X 30 UNI 6107 | TORNILLO TC M4 X 30 UNI 6107 | |
| 7 | 312.11040 | NUT M4 | TUERCA M6 | |
| 8 | 312.11060 | NUT M6 | TUERCA M6 | |
| 9 | 312.41060 | NUT, SELF LOCKING M6 | TUERCA AUTOBLOC. M6 | |
| 10 | 314.11064 | WASHER, FLAT 6.4 | ARANDELA PLANA 6.4 | |
| 11 | 314.22064 | WASHER, LOCK 6.4 | ARANDELA DE RES. 6.4 | |
| 12 | 314.23043 | LOCK WASHER B 4.3 | ARANDELA DE RES. B 4.3 | |
| 13 | 314.23084 | WASHER, LOCK 8.4 | ARANDELA DE RES. 8.4 | |
| 14 | 561.47935 | STOP SWITCH PROTECTION | PROTECCION INTERRUPTOR ALTO | |
| 15 | 561.47937 | STUD BOLT | DISTANCIADOR | |
| 16 | 561.47939 | PROTECTION SPACER | SEPARADOR PROTECCION | |
| 17 | 580.42233 | SUPPORT, ACCELERATOR CABLE | MORDAZA CABLE GAS | |
| 18 | 580.43031 | SHOCK-PROOF RUBBER | CAUCHO ANTI-COLPES | |
| 19 | 580.43033 | BATTERY STRAP | BANDA GOMA CON GANCIOS | |
| 20 | 580.43034 | ELEC. START CABLES MC 715 | CABLEADO ARRANQUE ELECT MC 715 | |
| 21 | 580.43036 | RECTIFIER | ENDEREZADOR | |
| 22 | 580.47926 | CHOKE DECAL | AUTOADHESIVO "CHOKE" | |
| 23 | 581.00052 | BOSCH RELAY 0332002160 | RELAIS BOSCH | |
| 24 | 590.43025 | BATTERY SUPPORT COMPL. | SOPORTE BATERIA COMPL. | |



CIRCLED LETTERS REFER TO SCHEMATIC

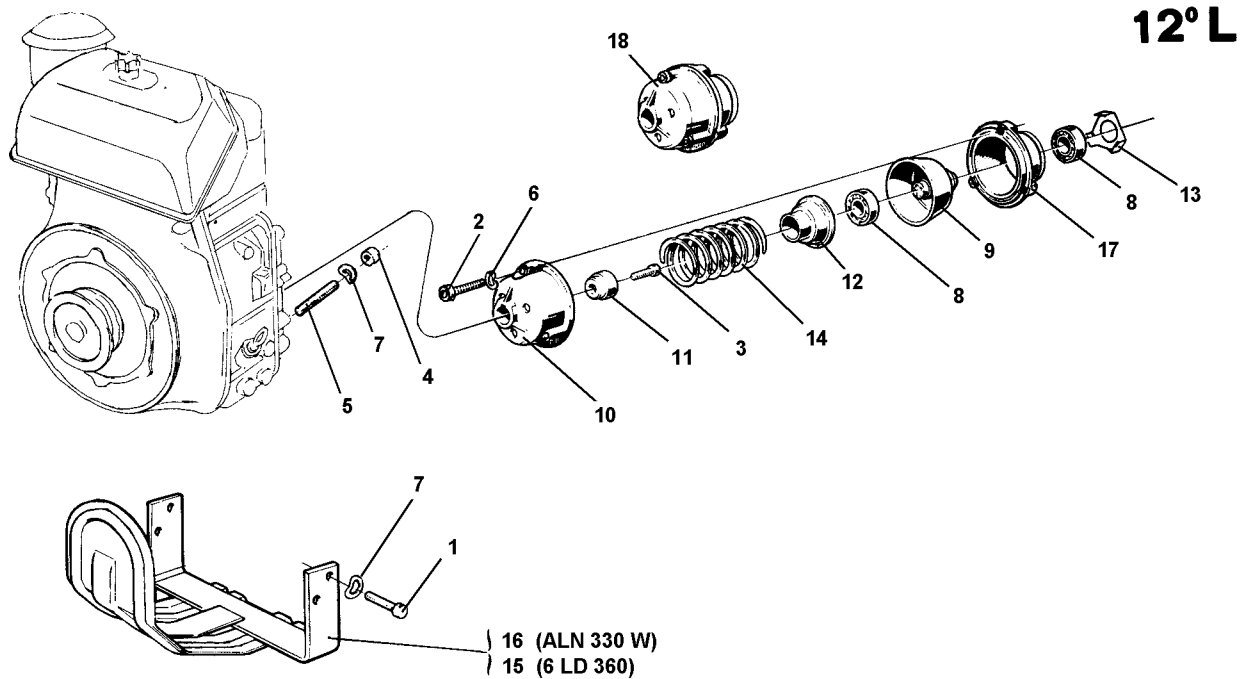
| ID | PARTNO | DESCRIPTION | DENOMINACION | NOTES |
|----|-----------|----------------------------|--------------------------------|-------|
| 1 | 300.00276 | KEY | LLAVE | |
| 2 | 300.00277 | SWITCH | INTERRUPTOR | |
| 3 | 311.11151 | SCREW M8 X 16 | TORNILLO M8 X 16 | |
| 4 | 311.12082 | SCREW M6 X 12 | TORNILLO M6 X 12 | |
| 5 | 311.12094 | SCREW TE M6 X 65 | TORNILLO TE M6 X 65 | |
| 6 | 311.61043 | SCREW TC M4 X 30 UNI 6107 | TORNILLO TC M4 X 30 UNI 6107 | |
| 7 | 312.11040 | NUT M4 | TUERCA M4 | |
| 8 | 312.11060 | NUT M6 | TUERCA M6 | |
| 9 | 312.41060 | NUT, SELF LOCKING M6 | TUERCA AUTOBLOC. M6 | |
| 10 | 314.11064 | WASHER, FLAT 6.4 | ARANDELA PLANA 6.4 | |
| 11 | 314.22064 | WASHER, LOCK 6.4 | ARANDELA DE RES. 6.4 | |
| 12 | 314.23043 | LOCK WASHER B 4.3 | ARANDELA DE RES. B 4.3 | |
| 13 | 314.23084 | WASHER, LOCK 8.4 | ARANDELA DE RES. 8.4 | |
| 14 | 561.19937 | BATTERY BRACKET | SOPORTE PARA BATERIA | |
| 15 | 561.47935 | STOP SWITCH PROTECTION | PROTECCION INTERRUPTOR ALTO | |
| 16 | 561.47937 | STUD BOLT | DISTANCIADOR | |
| 17 | 561.47939 | PROTECTION SPACER | SEPARADOR PROTECCION | |
| 18 | 561.49590 | BATTERY TIEROD | TIRANTE PARA BATERIA | |
| 19 | 580.42233 | SUPPORT, ACCELERATOR CABLE | MORDAZA CABLE GAS | |
| 20 | 580.43031 | SHOCK-PROOF RUBBER | CAUCHO ANTI-COLPES | |
| 21 | 580.43034 | ELEC. START CABLES MC 715 | CABLEADO ARRANQUE ELECT MC 715 | |
| 22 | 580.43360 | RECTIFIER | ENDEREZADOR | |
| 23 | 580.47926 | CHOKE DECAL | AUTOADHESIVO "CHOKE" | |
| 24 | 581.00052 | BOSCH RELAY 0332002160 | RELAIS BOSCH | |
| 25 | 590.43025 | SUPPORT BATTERY | SOPORTE BATERIA | |
| 26 | 590.47927 | PROTECTION FOR ENGINE A220 | PROTECCION MOTOR A220 | |



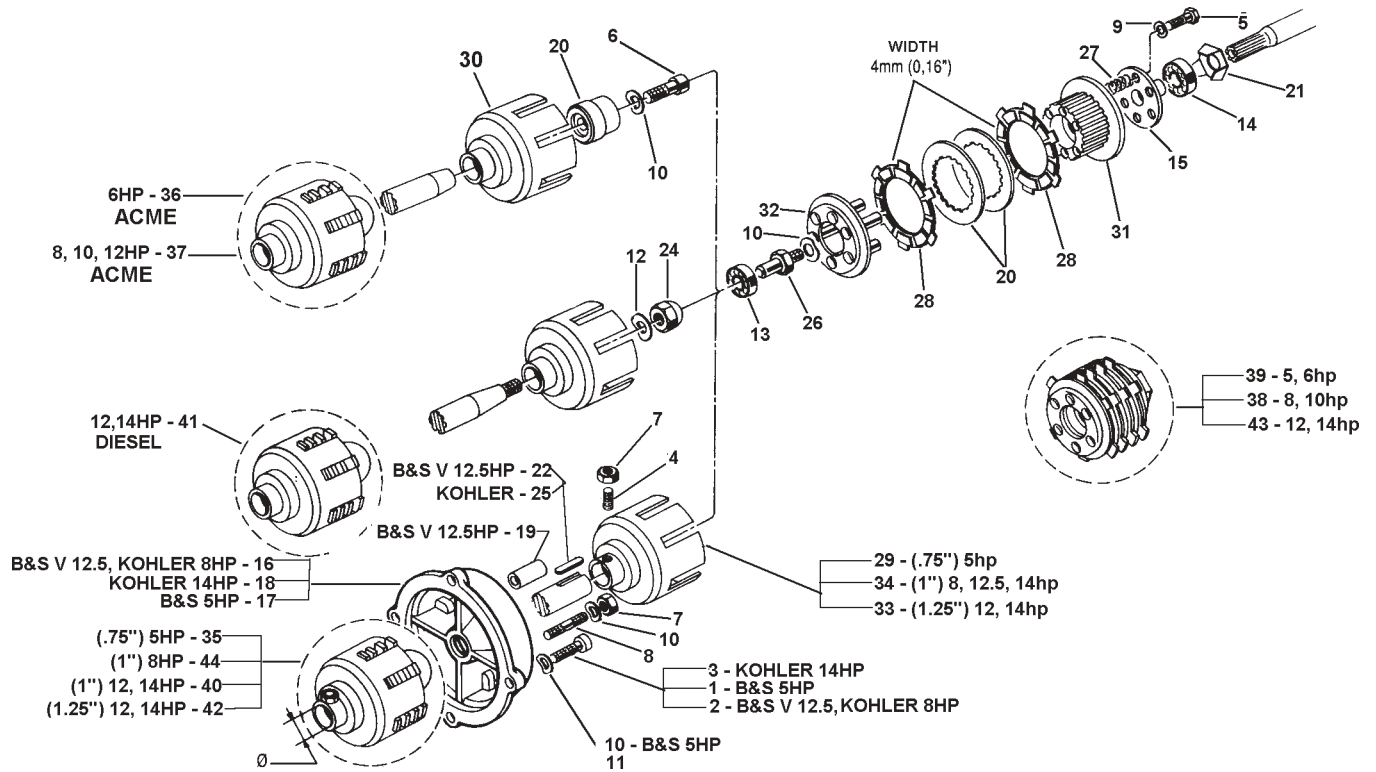
ELECTRIC STARTER ALN 290—ALN 330 W—AT 330

- | | |
|-------------------------------------|----------------------------|
| A: STARTER - MOT. DE ARRANQUE | R: RECTIFIER - ENDEREZADOR |
| B: GENERATOR - GENERADOR | M: RED - ROJO |
| E: BATTERY - BATERIA | S: BLUE - AZUL |
| F: SWITCH - INTERRUPTOR | U: YELLOW - AMARILLO |
| L: POINTS - PLATINOS | V: WHITE - BLANCO |
| O: MOTOR STOP - MOTOR STOP | Z: BROWN - CASTANO |
| Q: YELLOW GREEN - AMARILLO VERDE | W: BLACK - NEGRO |
| T: REMOTE CONTR SWITCH - Teleruptor | |

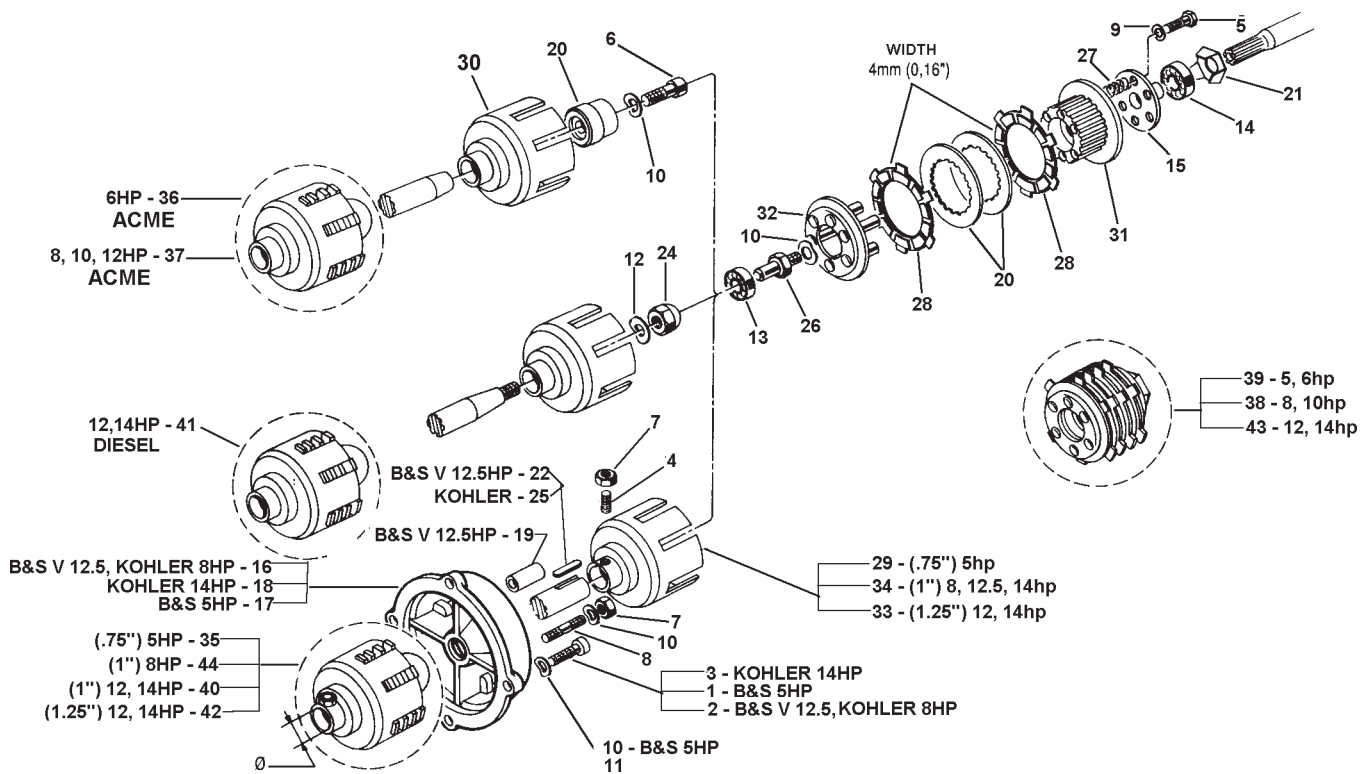
| ID | PART NO | DESCRIPTION | DENOMINACION | NOTES |
|----|---------|-------------|--------------|-------|
| | | | | |



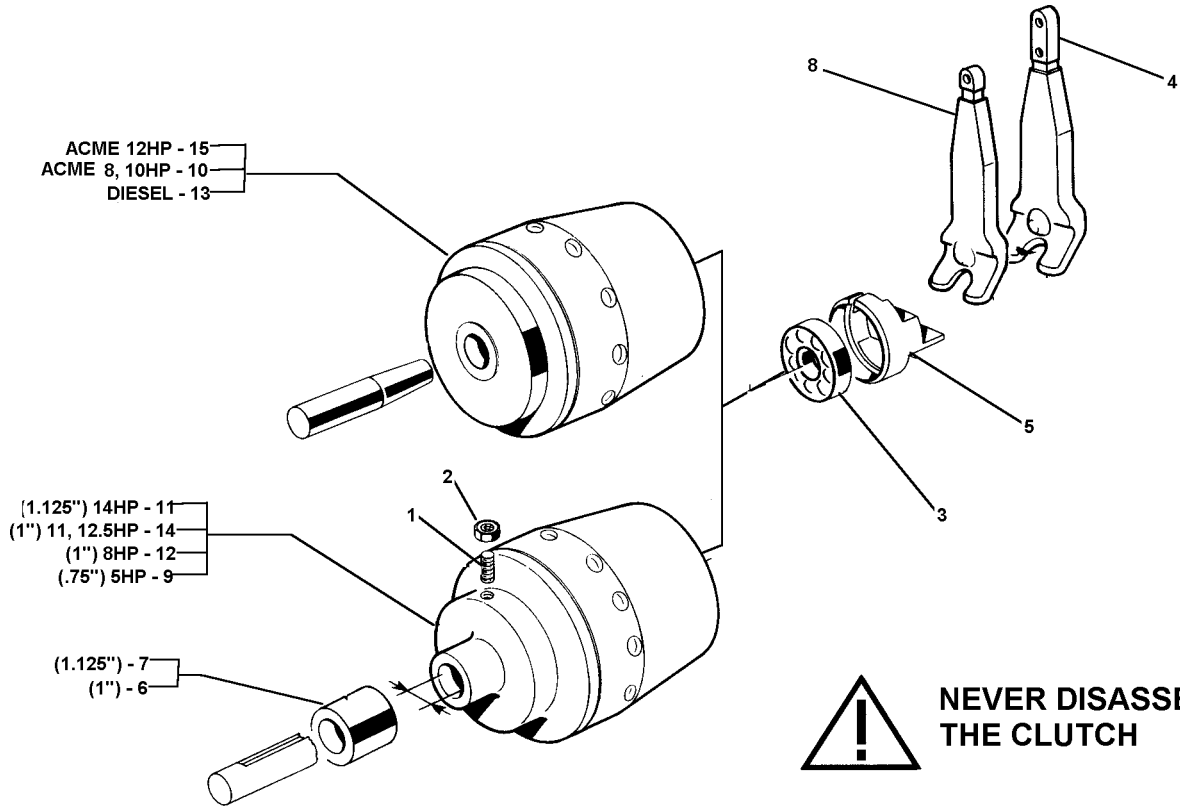
| ID | PARTNO | DESCRIPTION | DENOMINACION | NOTES |
|----|-----------|----------------------------------|-----------------------------------|-------|
| 1 | 311.11151 | SCREW M8 X 16 | TORNILLO M8 X 16 | |
| 2 | 311.52060 | SCREW TCCEI M6 X 30 UNI 5931 | TORNILLO TCCEI M6 X 30 UNI 5931 | |
| 3 | 311.52085 | SCREW TE CE M8 X 25 | TORNILLO TC CE M8 X 25 | |
| 4 | 312.11080 | NUT M8 | TUERCA M8 | |
| 5 | 313.12088 | STUD M8 X 40 X 14 X 14 | PRISIONERO M8 X 40 X 14 X 14 | |
| 6 | 314.22064 | WASHER, LOCK, 6.4 | ARANDELA DE RES. 6.4 | |
| 7 | 314.23084 | WASHER, LOCK 8.4 | ARANDELA DE RES. 8.4 | |
| 8 | 371.12171 | BEARING SKF 17 X 40 X 12 6203 ST | COJINETE SKF 17 X 40 X 12 6203 ST | |
| 9 | 521.48105 | LONG CLUTCH CONE | CONO EMBRAGUE LARGO | |
| 10 | 531.48107 | LONG CLUTCH BELL | CAMPANA EMBRAGUE | |
| 11 | 561.43121 | CENTERING | PASTILLA CENTR. | |
| 12 | 561.43122 | BUSH. SPRING HOLDER | CASQUILLO SOP. MUELLE | |
| 13 | 563.43106 | BEARING PLATE | CHAPA SOBRE COJINETE | |
| 14 | 580.43110 | SPRING CLUTCH | MUELLE EMBRAGUE | |
| 15 | 590.43046 | MOTOR HOOD LDA 520 MF 715 C | PROT. MOTOR LDA 520 MF 715 C | |
| 16 | 590.43773 | GUARD, MOWER MOTOR PULLEY | DEFENSA POLEA MOT. X MOTOSD | |
| 17 | 590.48102 | LONG CLUTCH RING | ANILLO EMBRAGUE | |
| 18 | 592.48106 | FITTED LONG CLUTCH | EMBRAGUE LUNGO MONTADO | |



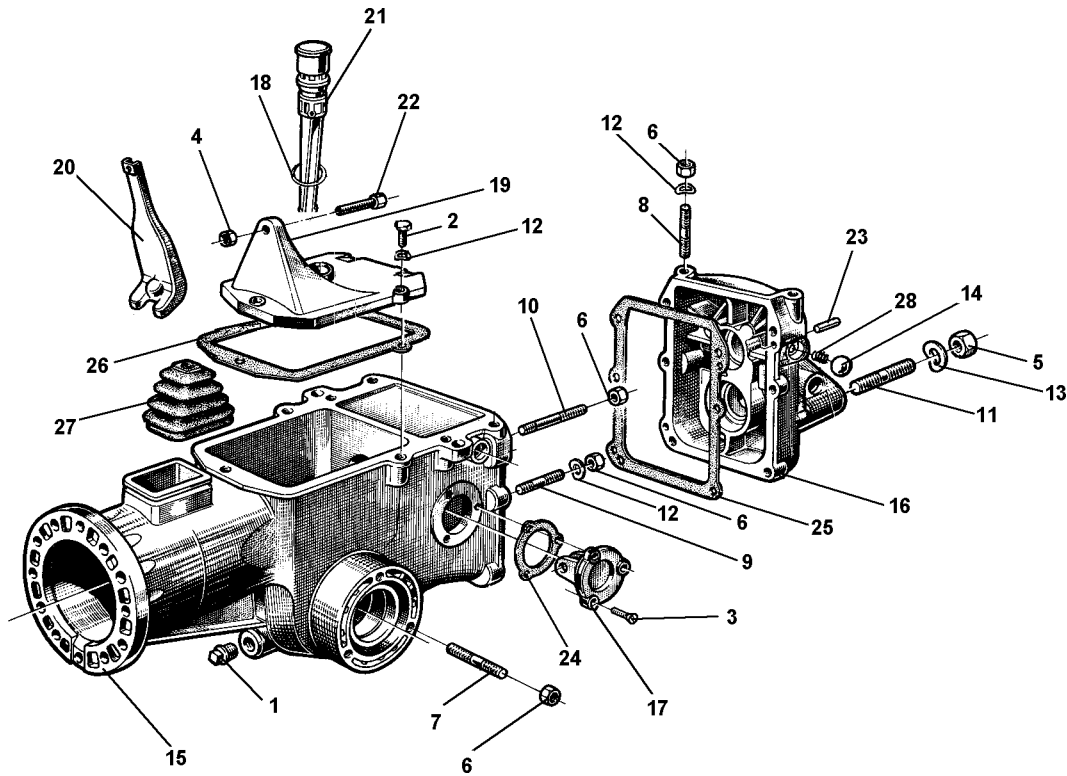
| ID | PARTNO | DESCRIPTION | DENOMINACION | NOTES |
|----|-----------|-------------------------------|----------------------------------|-------|
| 1 | 311.00003 | SCREW 5/16 X 7/8 | TORNILLO TE 5/16 X 7/8 UNF 2A AC | |
| 2 | 311.00015 | SCREW 3/8 X 1 | TORNILLO 3/8 X 1 | |
| 3 | 311.00024 | SCREW | TORNILLO | |
| 4 | 311.00781 | SCREW M8 X 14 | TORNILLO M8 X 14 | |
| 5 | 311.12051 | SCREW | TORNILLO | |
| 6 | 311.52085 | SCREW M8 X 25 | TORNILLO M8 X 25 | |
| 7 | 312.11080 | NUT M8 | TUERCA M8 | |
| 8 | 313.12088 | STUD M8 X 40 X 14 X 14 | PRISIONERO M8 X 40 X 14 X 14 | |
| 9 | 314.21062 | SUPER WASHER | ARANDELA SUPER | |
| 10 | 314.23084 | WASHER, LOCK 8.4 | ARANDELA DE RES. 8.4 | |
| 11 | 314.23105 | WASHER, LOCK 10.5 | ARANDELA DE RES. 10.5 | |
| 12 | 314.23170 | WASHER, LOCK 17 | ARANDELA DE RES. 17 | |
| 13 | 371.12099 | BEARING | COJINETE | |
| 14 | 371.12171 | BEARING 17 X 40 X 12 | COJINETE 17 X 40 X 12 | |
| 15 | 523.49818 | CLUTCH FLANGE | CAMPANA EMBRAGUE | |
| 16 | 531.49819 | FLANGE FOR KOHLER ENGINE 8HP | BRIDA PARA MOTOR KOHLER 8HP | |
| 17 | 532.47468 | FLANGE FOR 5HP B&S | BRIDA PARA MOTOR B&S 5HP | |
| 18 | 532.49783 | FLANGE FOR KOHLER ENGINE 14HP | BRIDA PARA MOTOR KOHLER 14HP | |
| 19 | 561.47456 | TWIN SPACER B&S | SEPARADOR B&S | |
| 20 | 561.49820 | INSIDE CLUTCH DISC | DISCO INTERIOR EMBRAGUE | |
| 21 | 563.43106 | BEARING PLATE | CHAPA SOBRE COJINETE | |
| 22 | 563.47458 | KEY B&S 12.5HP | LINGUETA PARA B&S 12.5HP | |
| 23 | 563.47472 | BEARING HOLDER BUSHING | CASQUILLO PORTA-COJINETE | |
| 24 | 563.49562 | SPECIAL NUT | TUERCA ESPECIAL | |
| 25 | 563.49782 | KEY | LINGUETA | |
| 26 | 563.49816 | SCREW 9X1 | MUELLE PARA EMBRAGUE A DISCO | |
| 27 | 580.49815 | DISC CLUTCH SPRING | DISCO EXT. | |
| 28 | 580.49821 | OUTSIDE DISC | CAMPANA EMBRAGUE | |
| 29 | 590.47466 | CLUTCH BELL | CAMPANA EMBRAGUE | |
| 30 | 590.49803 | CLUTCH BELL | CAMPANA EMBRAGUE | |
| 31 | 590.49807 | CLUTCH HUB | CUBO EMBRAGUE | |
| 32 | 590.49810 | CLUTCH BOTTOM | CASQUILLO EMBRAGUE | |
| 33 | 590.49813 | KOHLER CLUTCH BELL | CAMPANA EMBRAGUE KOHLER | |
| 34 | 590.49823 | CLUTCH BELL | CAMPANA EMBRAGUE | |
| 35 | 592.47465 | DISC CLUTCH ASSEMBLY | EMBRAGUE A DISCO | |



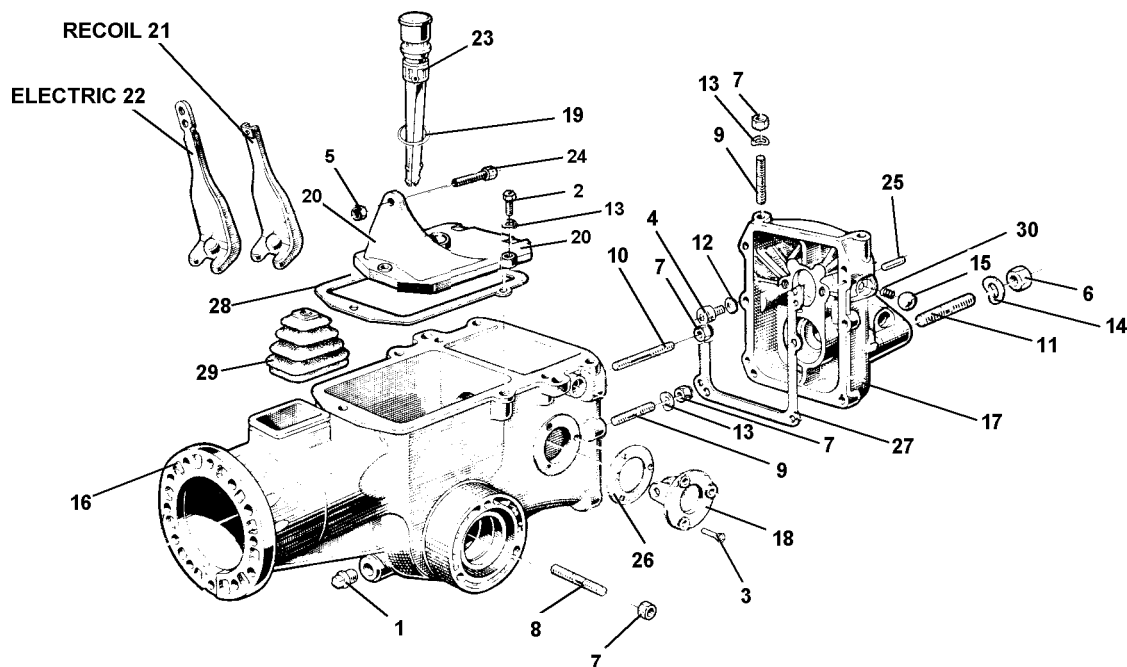
| ID | PARTNO | DESCRIPTION | DENOMINACION | NOTES |
|----|-----------|----------------------|------------------|--|
| 36 | 592.47469 | DISC CLUTCH ASSEMBLY | | 36- REPLACED BY 592.47884 |
| 37 | 592.47470 | DISC CLUTCH ASSEMBLY | EMBRAGUE A DISCO | |
| 38 | 592.47471 | DISC ASSEMBLY | DISCO EMBRAGUE | |
| 39 | 592.47475 | DISC ASSEMBLY | DISCO EMBRAGUE | |
| 40 | 592.47478 | DISC CLUTCH ASSEMBLY | EMBRAGUE A DISCO | |
| 41 | 592.49800 | DISC CLUTCH ASSEMBLY | | 41- REPLACED BY 592.47924 42- REPLACED BY 592.47906 |
| 42 | 592.49801 | DISC CLUTCH ASSEMBLY | | |
| 43 | 592.49802 | DISC ASSEMBLY | DISCO EMBRAGUE | |
| 44 | 592.49809 | DISC CLUTCH ASSEMBLY | | 43- REPLACED BY 592.47907 |



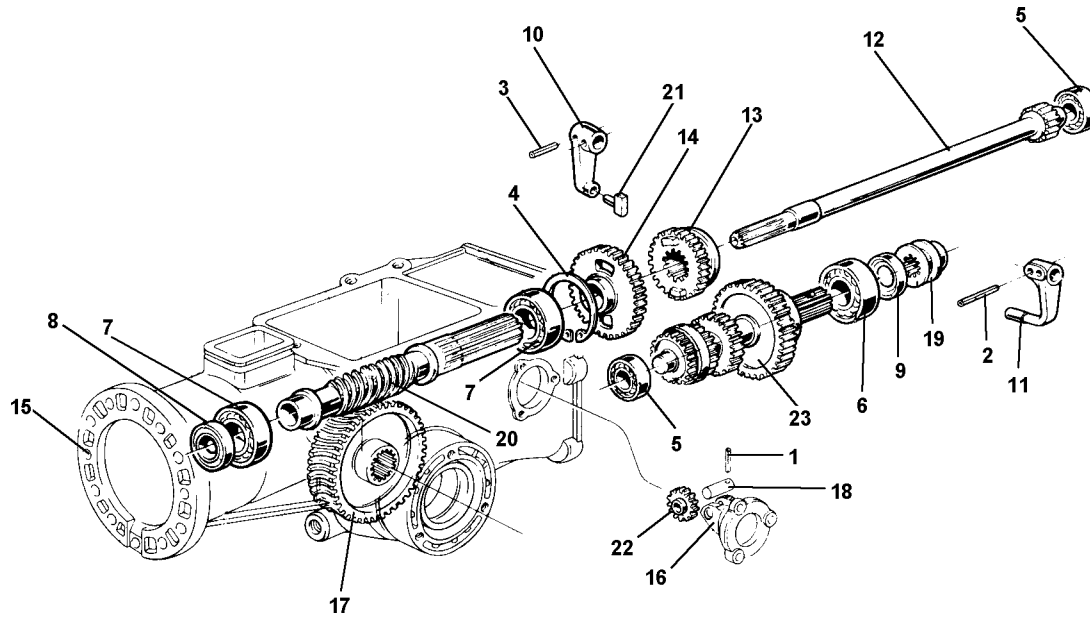
| ID | PARTNO | DESCRIPTION | DENOMINACION | NOTES |
|----|-----------|-------------------------------|---------------------------|-------|
| 1 | 311.00786 | SET SCREW M8 X 30 | TORNILLO M8 X 30 UNI 5923 | |
| 2 | 312.11080 | NUT M8 | TUERCA M8 | |
| 3 | 371.12173 | BEARING 17 X 40 X 12 | COJINETE 17 X 40 X 12 | |
| 4 | 522.47874 | CLUTCH LEVER - RECOIL START | PALANCA EMBRAGUE | |
| 5 | 524.47896 | CONE PUSHER | EMPUJADOR CONO | |
| 6 | 561.47480 | SPACER 12.5HP VANGARD | SEPARADOR 12.5HP VANGARD | |
| 7 | 561.47849 | SPACER | SEPARADOR | |
| 8 | 562.47899 | CLUTCH LEVER - ELECTRIC START | PALANCA EMBRAGUE | |
| 9 | 592.43150 | HEAVY DUTY CLUTCH | EMBRAGUE A CONICO | |
| 10 | 592.47884 | HEAVY DUTY CLUTCH | EMBRAGUE A CONICO | |
| 11 | 592.47906 | HEAVY DUTY CLUTCH | EMBRAGUE A CONICO | |
| 12 | 592.47907 | HEAVY DUTY CLUTCH | EMBRAGUE A CONICO | |
| 13 | 592.47924 | HEAVY DUTY CLUTCH | EMBRAGUE A CONICO | |
| 14 | 592.47970 | HEAVY DUTY CLUTCH | EMBRAGUE A CONICO | |
| 15 | 592.47971 | HEAVY DUTY CLUTCH | EMBRAGUE A CONICO | |



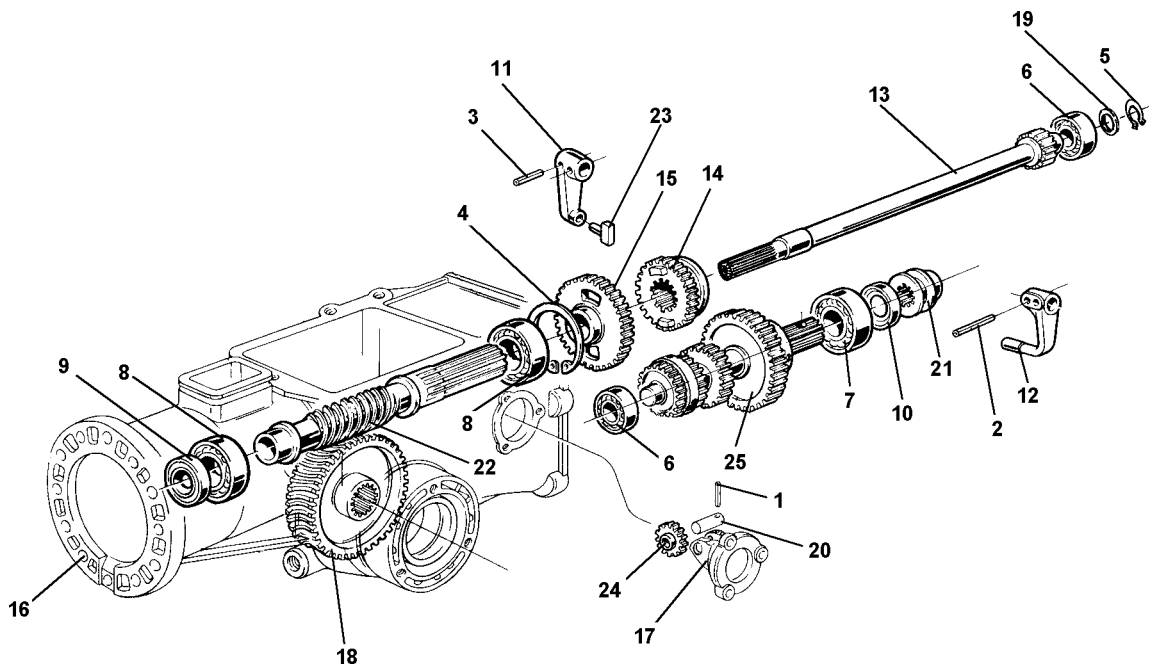
| ID | PARTNO | DESCRIPTION | DENOMINACION | NOTES |
|----|-----------|------------------------------|---------------------------------|-------|
| 1 | 300.40001 | PLUG 1/4 GAS | TAPON 1/4 GAS | |
| 2 | 311.11153 | SCREW TE M8 X 25 | TORNILLO TE M8 X 25 | |
| 3 | 311.31061 | SCREW TSV M6 X 16 UNI 260-5S | TORNILLO TSV M6 X 16 UNI 260-5S | |
| 4 | 312.11080 | NUT M8 | TUERCA M8 | |
| 5 | 312.21121 | NUT M12 X 1.25 UNI 5587 6S | TUERCA M12 X 1.25 UNI 5587 6S | |
| 6 | 312.41080 | NUT, SELF LOCKING M8 | TUERCA AUTOBLOC. M8 | |
| 7 | 313.12080 | STUD M8 X 46 X 20 X 12 | PRISIONERO M8 X 46 X 20 X 12 | |
| 8 | 313.12082 | STUD M8 X 38 X 14 X 20 | PRISIONERO M8 X 38 X 14 X 20 | |
| 9 | 313.12083 | STUD M8 X 46 X 16 X 16 | PRISIONERO M8 X 46 X 16 X 16 | |
| 10 | 313.12084 | STUD M8 X 58 X 16 X 16 | PRISIONERO M8 X 58 X 16 X 16 | |
| 11 | 313.12124 | ST.56XM12X1.25X26XM12X22 8G | PRIS.56XM12X1.25X26XM12X22 8G | |
| 12 | 314.23084 | WASHER, LOCK 8.4 | ARANDELA DE RES. 8.4 | |
| 13 | 314.23130 | WASHER, LOCK 13 | ARANDELA DE RES. 13 | |
| 14 | 379.11532 | BALL 15/32 RIV RB-11.906 | BOLA 15/32 RIV RB-11.906 | |
| 15 | 531.43050 | HOUSING BODY | CUERPO CARTER | |
| 16 | 531.43056 | HOUSING COVER | TAPA CARTER | |
| 17 | 531.43070 | REVERSE SPEED FLANGE | BRIDA MARCHA ATRAS | |
| 18 | 551.02678 | RUBBER RING | ANILLO GOMA | |
| 19 | 552.43114 | COVER | TAPA | |
| 20 | 562.43100 | CLUTCH LEVER | PALANCA EMBRAGUE | |
| 21 | 580.02666 | CAP, WITH MEASURING ROD | VARILLA NIVEL ACEITE CON TAPON | |
| 22 | 580.42202 | SCREW, ADJUSTING M8 | TORNILLO REGULACION M8 | |
| 23 | 580.43053 | PARALLEL PIN D 6 X 20 | ESPINA CIL. D 6 X 20 | |
| 24 | 580.43069 | GASKET | GUARNICION | |
| 25 | 580.43094 | GASKET, COVER | TAPA GUARNICION | |
| 26 | 580.43117 | GASKET, COVER | TAPA GUARNICION | |
| 27 | 580.43129 | BELLOWS | FUELLE | |
| 28 | 580.43176 | SPRING | MUELLE | |



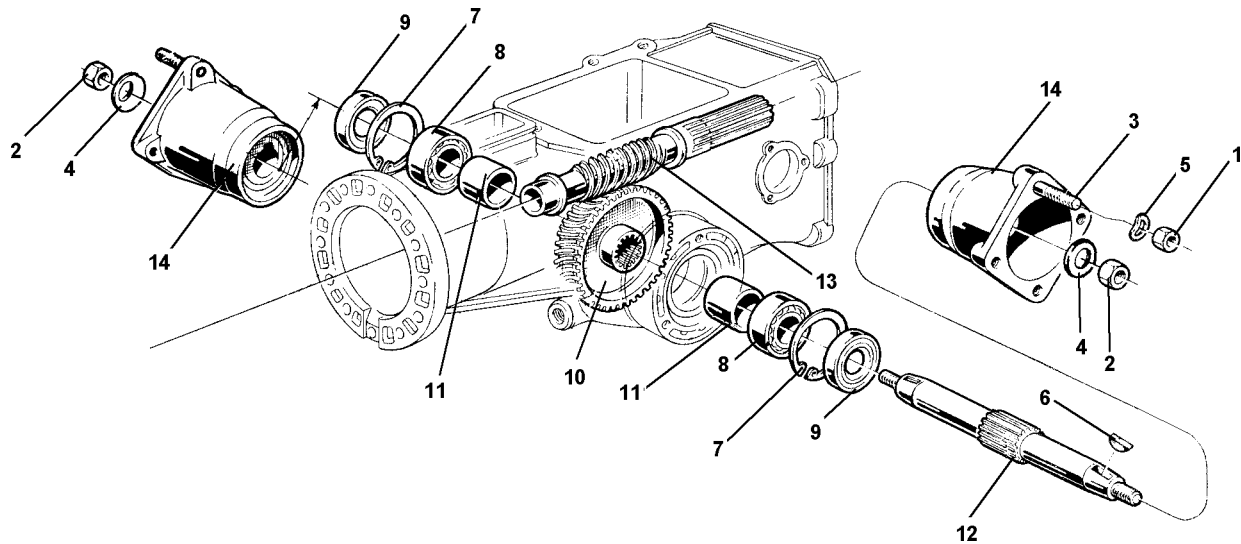
| ID | PARTNO | DESCRIPTION | DENOMINACION | NOTES |
|----|-----------|-----------------------------|--------------------------------|-------|
| 1 | 300.40001 | PLUG 1/4 GAS | TAPON 1/4 GAS | |
| 2 | 311.11153 | SCREW TE M8 X 25 | TORNILLO TE M8 X 25 | |
| 3 | 311.32562 | SCREW M6 X 16 | TORNILLO M6 X 16 | |
| 4 | 311.52079 | SCREW TCCEI M8 X 12 | TORNILLO TCCEI M8 X 12 | |
| 5 | 312.11080 | NUT M8 | TUERCA M8 | |
| 6 | 312.21121 | NUT M12 X 1.25 UNI 5587 6S | TUERCA M12 X 1.25 UNI 5587 6S | |
| 7 | 312.41080 | NUT, SELF LOCKING M8 | TUERCA AUTOBLOC. M8 | |
| 8 | 313.12080 | STUD M8 X 46 X 20 X 12 | PRISIONERO M8 X 46 X 20 X 12 | |
| 9 | 313.12083 | STUD M8 X 46 X 16 X 16 | PRISIONERO M8 X 46 X 16 X 16 | |
| 10 | 313.12084 | STUD M8 X 58 X 16 X 16 | PRISIONERO M8 X 58 X 16 X 16 | |
| 11 | 313.12124 | ST.56XM12X1.25X26XM12X22 8G | PRIS.56XM12X1.25X26XM12X22 8G | |
| 12 | 314.21083 | SUPER WASHER 8 DIN 6796 | ARANDELA SUPER 8 DIN 6796 | |
| 13 | 314.23084 | WASHER, LOCK 8.4 | ARANDELA DE RES. 8.4 | |
| 14 | 314.23130 | WASHER, LOCK 13 | ARANDELA DE RES. 13 | |
| 15 | 379.11532 | BALL 15/32 RIV RB-11.906 | BOLA 15/32 RIV RB-11.906 | |
| 16 | 531.43050 | HOUSING BODY | CUERPO CARTER | |
| 17 | 531.43056 | HOUSING COVER | TAPA CARTER | |
| 18 | 531.43070 | REVERSE SPEED FLANGE | BRIDA MARCHA ATRAS | |
| 19 | 551.02678 | RUBBER RING | ANILLO GOMA | |
| 20 | 552.43114 | COVER | TAPA | |
| 21 | 562.43100 | CLUTCH LEVER | PALANCA EMBRAGUE | |
| 22 | 562.43113 | CLUTCH LEVER | PALANCA EMBRAGUE | |
| 23 | 580.02666 | CAP, WITH MEASURING ROD | VARILLA NIVEL ACEITE CON TAPON | |
| 24 | 580.42202 | SCREW, ADJUSTING M8 | TORNILLO REGULACION M8 | |
| 25 | 580.43053 | PARALLEL PIN D 6 X 20 | ESPINA CIL. D 6 X 20 | |
| 26 | 580.43069 | GASKET | GUARNICION | |
| 27 | 580.43094 | GASKET, COVER | TAPA GUARNICION | |
| 28 | 580.43117 | GASKET, COVER | TAPA GUARNICION | |
| 29 | 580.43129 | BELLOWS | FUELLE | |
| 30 | 580.48369 | P.T.O. SPRING | MUELLE TOMA DE FUERZA | |



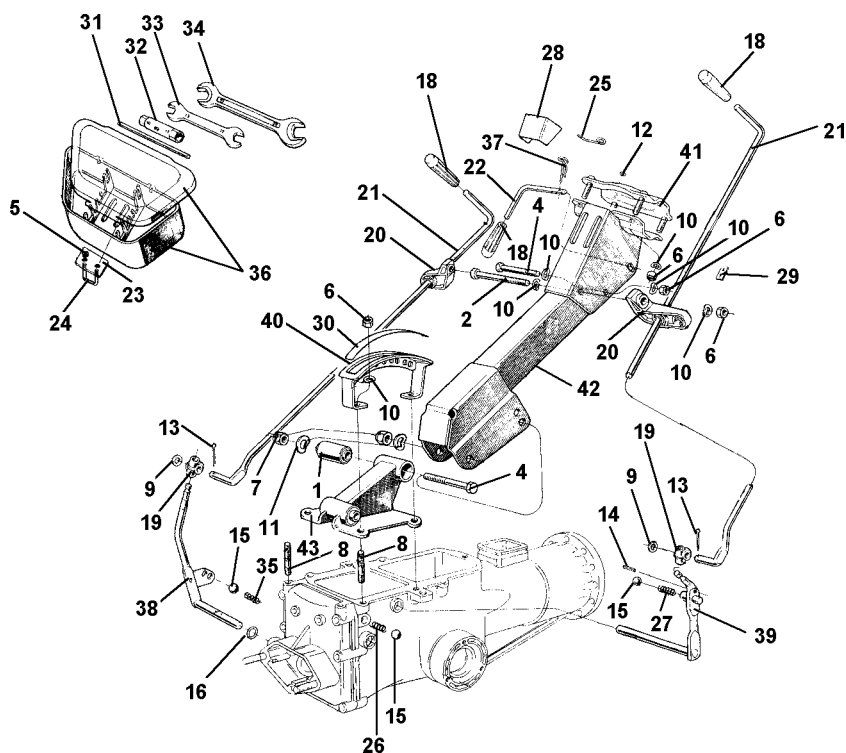
| ID | PARTNO | DESCRIPTION | DENOMINACION | NOTES |
|----|-----------|---------------------------------|-----------------------------------|-------|
| 1 | 342.11025 | PIN, LOCKING 2.5 X 22 DIN 1481 | ESPINA DE RES. 2.5 X 22 DIN 1481 | |
| 2 | 342.13020 | LOCKING PIN 4 X 20 SPIRAL | ESPINA DE RES. 4 X 20 ESPIRAL | |
| 3 | 342.13024 | LOCKING PIN 4 X 24 SPIRAL | ESPINA DE RES. 4 X 24 ESPIRAL | |
| 4 | 351.11052 | CIRCLIP, INTERN D 52 | SEEGER INT. D 52 | |
| 5 | 371.11151 | BEARING 15 X 35 X 11 6202 | COJINETE 15 X 35 X 11 6202 | |
| 6 | 371.11201 | BEARING 20 X 47 X 14 6204 | COJINETE 20 X 47 X 14 6204 | |
| 7 | 371.11255 | BEARING 25 X 52 X 15 6205 | COJINETE 25 X 52 X 15 6205 | |
| 8 | 382.11501 | SEAL, OIL 15 X 40 X 10 STANDARD | CHAPA RET. AC. 15 X 40 X 10 NORM. | |
| 9 | 382.12001 | SEAL, OIL 20 X 35 X 7 STANDARD | CHAPA RET. AC. 20 X 35 X 7 NORM. | |
| 10 | 521.43171 | LEVER, SPEED CHG SLDG GR | PALANCA ENGR. DESLIZABLE MAR. | |
| 11 | 523.43168 | SLIDE LEVER | PALANCA CURSOR | |
| 12 | 524.43112 | CLUTCH SHAFT | PALANCA I | |
| 13 | 524.43144 | SLIDING GEAR | CORREDIZO | |
| 14 | 524.43145 | I SPEED WHEEL | RUEDA 1A VELOCIDAD | |
| 15 | 531.43050 | HOUSING BODY | CUERPO CARTER | |
| 16 | 531.43070 | REVERSE SPEED FLANGE | BRIDA MARCHA ATRAS | |
| 17 | 541.43149 | GEAR Z 49, LH MOTOR MOWER | MANDO IZQ. MOTOSEGADORA | |
| 18 | 564.43074 | PIN | PERNO | |
| 19 | 564.43164 | SLIDER | CURSOR | |
| 20 | 564.48525 | WORM GEAR | TORNILLO SIN FIN | |
| 21 | 580.43086 | SHOE | ZAPATO | |
| 22 | 590.43071 | REVERSE SPEED GEAR | COMPL. MARCHA ATRAS | |
| 23 | 590.43146 | P.T.O. SHAFT | ARBOL TOMA DE FUERZA | |



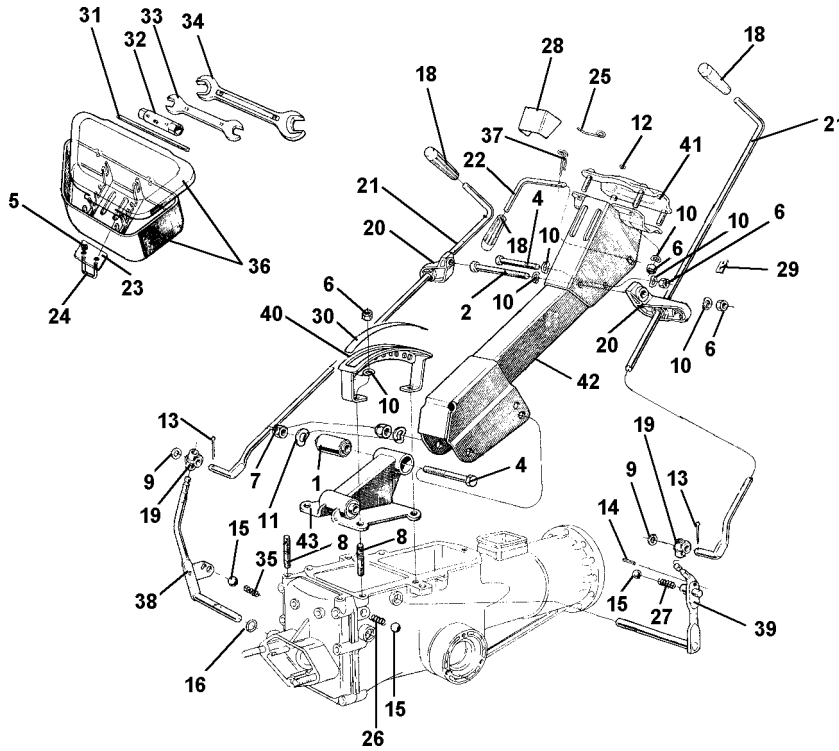
| ID | PARTNO | DESCRIPTION | DENOMINACION | NOTES |
|----|-----------|---------------------------------|--------------------------------------|-------|
| 1 | 342.11025 | PIN, LOCKING 2.5 X 22 DIN 1481 | ESPINA DE RES. 2.5 X 22 DIN 1481 | |
| 2 | 342.13020 | LOCKING PIN 4 X 20 SPIRAL | ESPINA DE RES. 4 X 20 ESPIRAL | |
| 3 | 342.13024 | LOCKING PIN 4 X 24 SPIRAL | ESPINA DE RES. 4 X 24 ESPIRAL | |
| 4 | 351.11052 | CIRCLIP, INTERN D 52 | SEEGER INT. D 52 | |
| 5 | 351.21015 | CIRCLIP | SEEGER | |
| 6 | 371.11151 | BEARING 15 X 35 X 11 6202 | COJINETE 15 X 35 X 11 6202 | |
| 7 | 371.11201 | BEARING 20 X 47 X 14 6204 | COJINETE 20 X 47 X 14 6204 | |
| 8 | 371.11255 | BEARING 25 X 52 X 15 6205 | COJINETE 25 X 52 X 15 6205 | |
| 9 | 382.11501 | SEAL, OIL 15 X 40 X 10 STANDARD | CHAPA RET. ACEITE 15 X 40 X 10 NORM. | |
| 10 | 382.12001 | SEAL, OIL 20 X 35 X 7 STANDARD | CHAPA RET. ACEITE 20 X 35 X 7 NORM. | |
| 11 | 521.43171 | LEVER, SPEED CHG SLDG GR | PALANCA ENGR. DESLIZABLE MAR. | |
| 12 | 523.43168 | SLIDE LEVER | PALANCA CURSOR | |
| 13 | 524.43112 | CLUTCH SHAFT | PALANCA EMBRAGUE | |
| 14 | 514.43144 | SLIDING GEAR | CORREDIZO | |
| 15 | 524.43145 | I SPEED WHEEL | RUEDA 1A VELOCIDAD | |
| 16 | 531.43050 | HOUSING BODY | CUERPO CARTER | |
| 17 | 531.43070 | REVERSE SPEED FLANGE | BRIDA MARCHA ATRAS | |
| 18 | 541.43149 | GEAR Z 49, LH MOTOR MOWER | MANDO IZQ. MOTOSEGADORA | |
| 19 | 561.43932 | WASHER 15.1 X 25 X 2 | ARANDELA 15.1 X 25 X 2 | |
| 20 | 564.43074 | PIN | PERNO | |
| 21 | 564.43164 | SLIDER | CURSOR | |
| 22 | 564.48525 | WORM GEAR | TORNILLO SIN FIN | |
| 23 | 580.43086 | SHOE | ZAPATO | |
| 24 | 590.43071 | REVERSE SPEED GEAR | COMPL. MARCHA ATRAS | |
| 25 | 590.43146 | P.T.O. SHAFT | ARBOL TOMA DE FUERZA | |



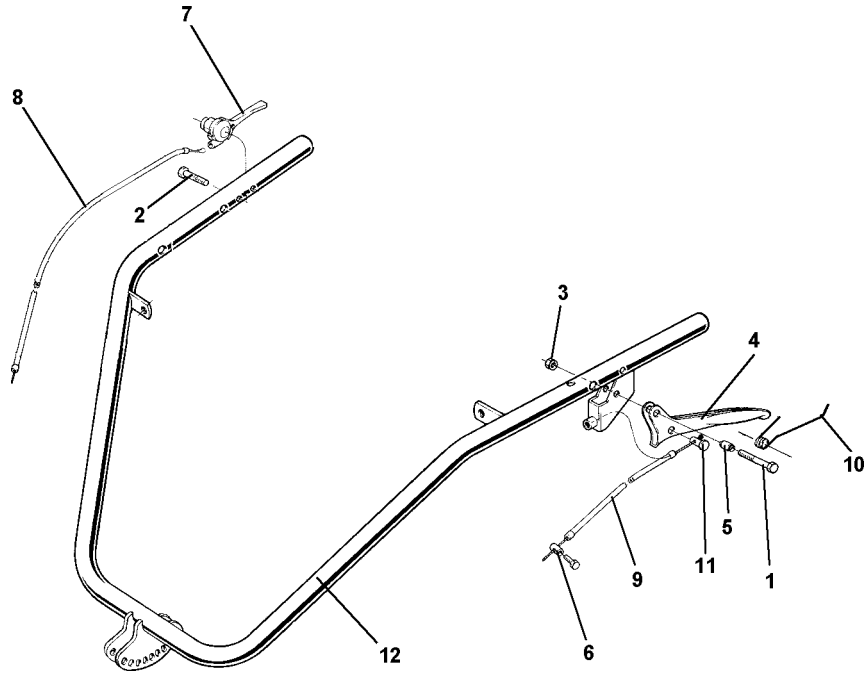
| ID | PARTNO | DESCRIPTION | DENOMINACION | NOTES |
|----|-----------|---------------------------------|---------------------------------|-------|
| 1 | 312.11100 | NUT M10 | TUERCA M10 | |
| 2 | 312.41120 | NUT, SELF LOCKING M12 | TUERCA AUTOBLOC. M12 | |
| 3 | 313.12102 | STUD M10 X 40 X 22 X 14 | PRISIONERO M10 X 40 X 22 X 14 | |
| 4 | 314.21130 | SUPER WASHER 12 DIN 6796 | ARANDELA SUPER 12 DIN 6796 | |
| 5 | 314.23105 | WASHER, LOCK 10.5 | ARANDELA DE RES. 10.5 | |
| 6 | 343.11060 | KEY 6 X 10 UNI 6606 | LINGUETA 6 X 10 UNI 6606 | |
| 7 | 351.11052 | CIRCLIP, INTERN D 52 | SEEGER INT. D 52 | |
| 8 | 371.11255 | BEARING 25 X 52 X 15 6205 | COJINETE 25 X 52 X 15 6205 | |
| 9 | 382.12501 | SEAL, OIL 25 X 52 X 10 STANDARD | CHAPA RET.AC.25 X 52 X 10 NORM. | |
| 10 | 541.43149 | GEAR Z 49, LH MOTOR MOWER | MANDO IZQ. MOTOSEGADORA | |
| 11 | 561.43059 | SPACER | SEPARADOR | |
| 12 | 563.43058 | WHEEL SHAFT | PARTE RUEDAS | |
| 13 | 564.48525 | WORM GEAR | TORNILLO SIN FIN | |
| 14 | 590.43063 | HUB, WHEEL, WITH STUDS | CUBO RUEDA CON PRISIONEROS | |



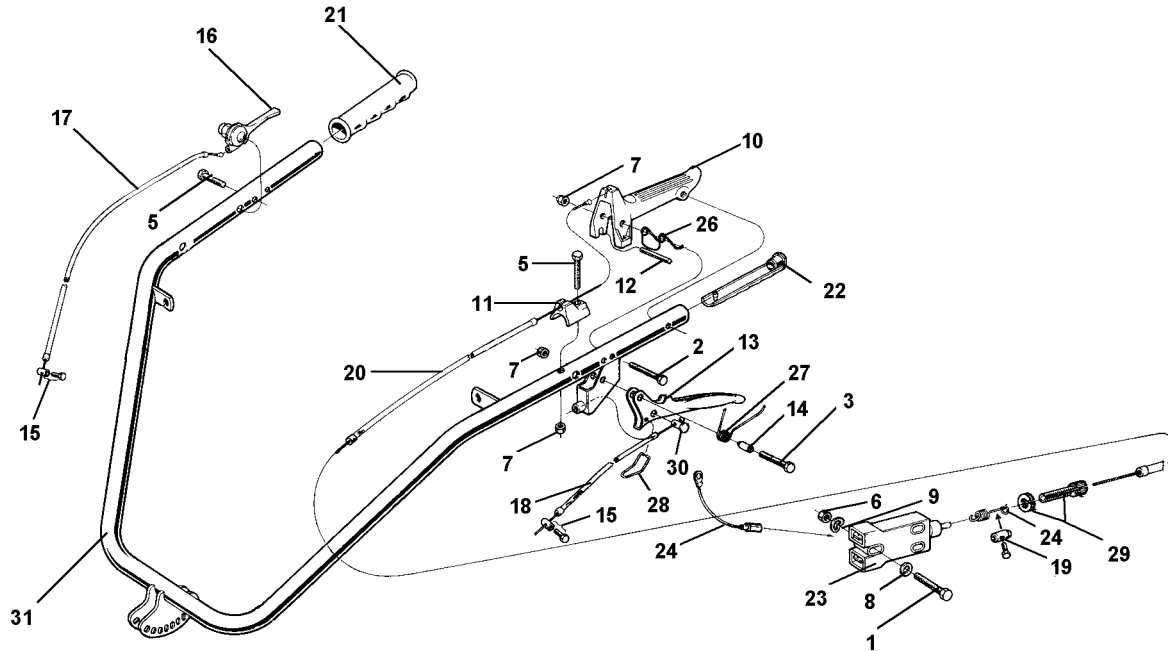
| ID | PARTNO | DESCRIPTION | DENOMINACION | NOTES |
|----|-----------|----------------------------|--------------------------------|-------|
| 1 | 300.10142 | SILENTBLOCK | SILENTBLOC | |
| 2 | 311.11165 | SCREW TE M8 X 100 | TORNILLO TE M8X 100 | |
| 3 | 311.11216 | SCREW TE M10 X 70 | TORNILLO TE M10 X 70 | |
| 4 | 311.12156 | SCREW M8 X 60 | TORNILLO M8 X 60 | |
| 5 | 312.41060 | NUT, SELF LOCKING M6 | TUERCA AUTOBLOC. M6 | |
| 6 | 312.41080 | NUT, SELF LOCKING M8 | TUERCA AUTOBLOC. M8 | |
| 7 | 312.41100 | NUT, SELF LOCKING M10 | TUERCA AUTOBLOC. M10 | |
| 8 | 313.12082 | STUD M8 X 38 X 14 X 20 | PRISIONERO M8 X 38 X 14 X 20 | |
| 9 | 314.11104 | WASHER P10.5 X 18 | ARANDELA P10.5 X 18 | |
| 10 | 314.23084 | WASHER, LOCK 8.4 | ARANDELA DE RES. 8.4 | |
| 11 | 314.23105 | WASHER, LOCK 10.5 | ARANDELA DE RES. 10.5 | |
| 12 | 314.40004 | WASHER, LOCK FOR PINS | D-4 ARAND.ELAST.PARA PERNO D-4 | |
| 13 | 341.10028 | COTTER PIN | PASADOR A 3 X 15 UNI 1336 AC. | |
| 14 | 342.13025 | LOCKING PIN SPIRAL | ESPIÑA DE RES. ESPIRAL | |
| 15 | 379.11532 | BALL 15/32 RIV RB-11.906 | BOLA 15/32 RIV RB-11.906 | |
| 16 | 381.11191 | O-RING 115 11.91 X 2.62 | OR 115 11.91 X 2.62 | |
| 17 | 531.48656 | MARK OVAL | OVAL MARCA | |
| 18 | 551.42076 | KNOB | POMO | |
| 19 | 552.42528 | JOINT, D 10 | MANGUETA D 10 | |
| 20 | 552.43338 | SUPPORT, CONTROL ROD | SOPORTE VARILLA MANDOS | |
| 21 | 561.43360 | ROD, CONTROL, POWER TILLER | TIRANTE MANDOS MC. | |
| 22 | 561.48280 | LEVER FOR SECTOR | PALANCA PARA SECTOR | |
| 23 | 561.49467 | PLATE | PLETINA | |
| 24 | 561.49468 | U-BOLT | PUENTE | |
| 25 | 561.49667 | SHEATH HOOK | GANCIO VAINA | |
| 26 | 580.42059 | SPRING | MUELLE | |
| 27 | 580.43176 | SPRING | MUELLE | |
| 28 | 580.43296 | ADHESIVE LABEL 602 | AUTOADHESIVO 602 | |
| 29 | 580.43321 | PLATE SLOW/FAST SPEEDS | PLETINA VELOC. LENT./RAP. | |
| 30 | 580.43342 | PLATE, SPEED, MOWER | BLOQUEO MARCAS MOTOSEGAD. | |
| 31 | 580.43718 | PARALLEL PIN D 7 X 130 | CLAVIJA CILINDRICA D 7 X 130 | |
| 32 | 580.43719 | TUBE KEY 10 - 13 | LLAVE A TUBO 10 - 13 | |
| 33 | 580.43720 | OPEN KEY 13 - 17 | LLAVE A BOCA 13 - 17 | |
| 34 | 580.43722 | OPEN KEY 19 - 22 | LLAVE A BOCA 19 - 22 | |
| 35 | 580.48369 | P.T.O. SPRING | MUELLE TOMA DE FUERZA | |



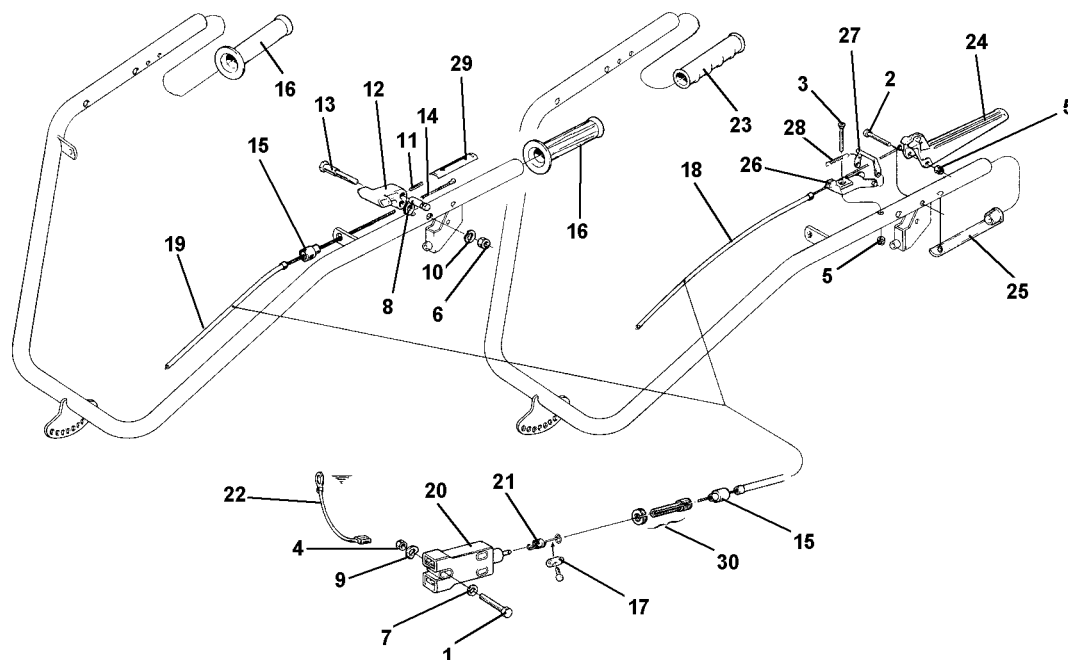
| ID | PARTNO | DESCRIPTION | DENOMINACION | NOTES |
|----|-----------|-----------------------------|--------------------------------|-------|
| 36 | 580.49466 | NEUTRAL TOOL BOX | CAJA ACCESORIOS NEUTRA | |
| 37 | 580.50533 | PIN | PASADOR | |
| 38 | 590.43166 | P.T.O. LEVER | PALANCA TOMA DE FUERZA | |
| 39 | 590.48048 | MOTOR MOWER GEARBOX LEVER | PALANCA CAMBIO MOTOSEGADORA | |
| 40 | 590.48052 | SELECTOR | SELECTOR | |
| 41 | 590.48266 | COVER ENDS | TAPA EXTREMIDAD | |
| 42 | 590.48478 | MOTOR MOWER STEERING COLUMN | COLUMNA PARA MOTOSEGADORA | |
| 43 | 590.48522 | SUPPORT COMPL. SILENTBLOCK | SOPORTE COMPL. PATA SILENTBLOC | |



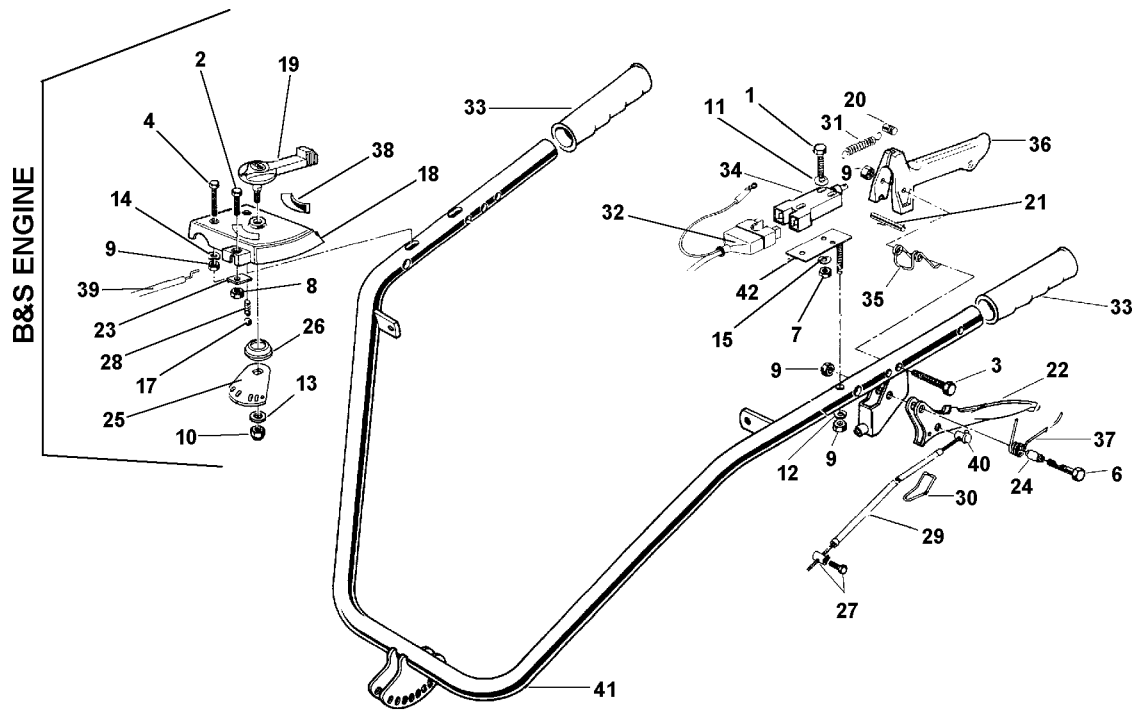
| ID | PART NO | DESCRIPTION | DENOMINACION | NOTES |
|----|-----------|-----------------------------|------------------------------|---|
| 1 | 311.12089 | SCREW M6 X 25 | TORNILLO M6 X 25 | THIS PARTS ILLUSTRATION COVERS THE OLDER STYLE HANLEBARS. IT DOES NOT INCLUDE THE ENGINE STOP CONTROLS. THE ENGINE STOP CONTROLS ARE ON PAGE 11.00 |
| 2 | 311.12091 | SCREW M6 X 40 | TORNILLO M6 X 40 | |
| 3 | 312.41060 | NUT, SELF LOCKING M6 | TUERCA AUTOBLOC. M6 | |
| 4 | 561.48470 | LEVER | PALANCA | |
| 5 | 561.50361 | LEVER SPACER | SEPARADOR PALANCA | |
| 6 | 580.02429 | CLAMP, CABLE | PASADOR | |
| 7 | 580.02538 | LEVER, ACCELERATOR | PALANCA MANDO GAS | |
| 8 | 580.26224 | CABLE & SHEATH, ACCEL. | VAINA GAS LOMBARDINI | |
| 9 | 580.43223 | WIRE & SHEATH L 930 DISENG. | CABLE Y VAINA EMBRAGUE L 903 | |
| 10 | 580.50345 | LEVER SPRING | MUELLE PALANCA | |
| 11 | 581.50313 | BARREL | PASADOR | |
| 12 | 590.43268 | HANDLEBAR | MANILLAR | |



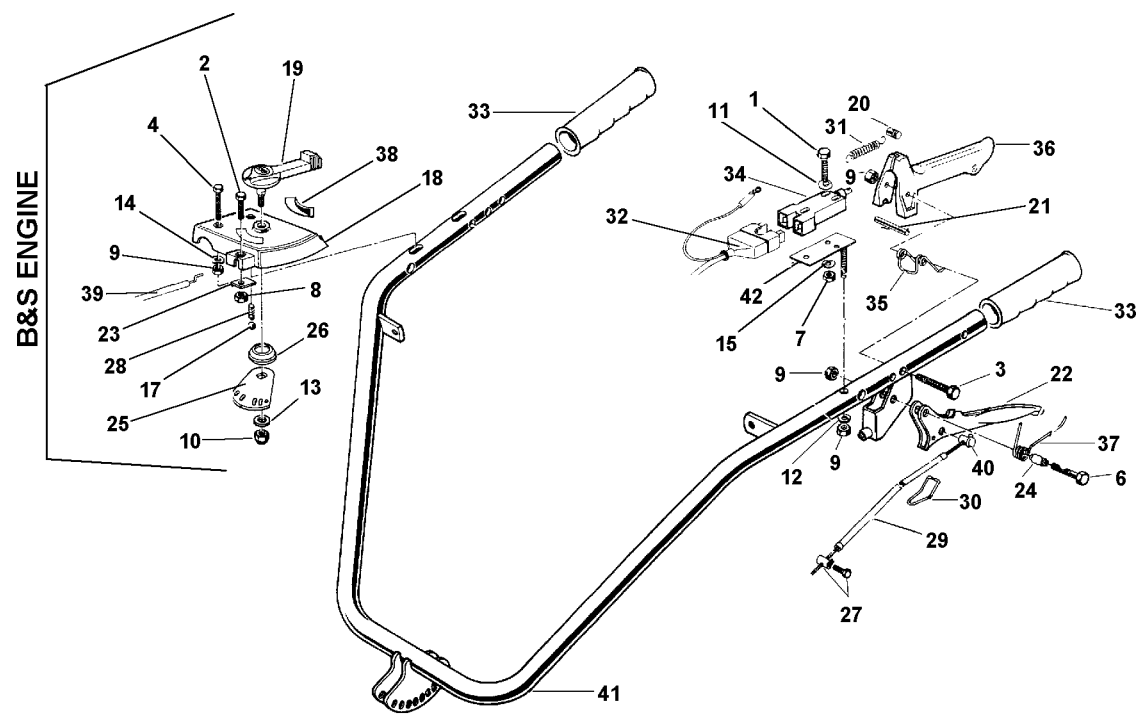
| ID | PARTNO | DESCRIPTION | DENOMINACION | NOTES |
|----|-----------|-------------------------------|------------------------------|--|
| 1 | 311.11086 | SCREW TE M4 X 25 | TORNILLO TE M4 X 25 | THIS PARTS ILLUSTRATION COVERS THE HANDLEBARS FOR THE UNITS THAT USED AN ACME ENGINE. THE BRIGGS & STRATTON ENGINE HANDLEBARS ARE ON PAGE 12.00 |
| 2 | 311.11097 | SCREW TE M6 X 45 | TORNILLO TE M6 X 45 | |
| 3 | 311.12089 | SCREW M6 X 25 | TORNILLO M6 X 25 | |
| 4 | 311.12091 | SCREW M6 X 40 | TORNILLO M6 X 40 | |
| 5 | 311.12092 | SCREW M6 X 35 | TORNILLO M6 X 35 | |
| 6 | 312.11040 | NUT M4 | TUERCA M4 | |
| 7 | 312.41060 | NUT, SELF LOCKING M6 | TUERCA AUTOBLOC. M6 | |
| 8 | 314.11043 | FLAT WASHER 4.3 | ARANDELA PLANA 4.3 | |
| 9 | 314.23043 | LOCK WASHER B 4.3 | ARANDELA DE RES. B 4.3 | |
| 10 | 552.48041 | MOTOR STOP LEVER | PALANCA MOTOR STOP | |
| 11 | 552.48038 | SHEATH STOP OF MOTOR STOP | FUNDA VAINA MOTOR STOP | |
| 12 | 561.48037 | LEVER STOP FOR MOTOR STOP | FIJACION PALANCA MOTOR STOP | |
| 13 | 561.48040 | CLUTCH LEVER | PALANCA | |
| 14 | 561.50361 | LEVER SPACER | SEPARADOR PALANCAS | |
| 15 | 580.02429 | CLAMP, CABLE | PASADOR | |
| 16 | 580.02538 | LEVER, ACCELERATOR | PALANCA MANDO GAS | |
| 17 | 580.26224 | CABLE & SHEATH,ACCEL.LOMBAR | CABLE VAINA GAS LOMBARDINI | |
| 18 | 580.43223 | WIRE AND SHEATH L 903 DISENG. | CABLE Y VAINA EMBRAGUE L 903 | |
| 19 | 580.48002 | CABLE CLAMP | PASADOR | |
| 20 | 580.48005 | SHEATH CABLE | FILO VAINA | |
| 21 | 580.48000 | GRIP | MANIVELA | |
| 22 | 580.48016 | FIXED BODY | CUERPO FIJO | |
| 23 | 580.48009 | STOP SWITCH | INTERRUPTOR STOP | |
| 24 | 580.48010 | SWITCH SPRING | MUELLE PARA INTERRUPTOR | |
| 25 | 580.48011 | SWITCH CAABLES | CABLES INTERRUPTOR | |
| 26 | 580.48039 | MOTOR STOP LEVER SPRING | MUELLE PALANCA MOTOR STOP | |
| 27 | 580.50345 | LEVER SPRING | PALANCA | |
| 28 | 580.51670 | LEVER HOOK | GANCHO PALANCA | |
| 29 | 581.47704 | ADJUSTING SCREW | TORNILLO REGULACCION | |
| 30 | 581.50313 | BARREL | PASADOR | |
| 31 | 590.43268 | HANDLEBAR | MANILLAR | |



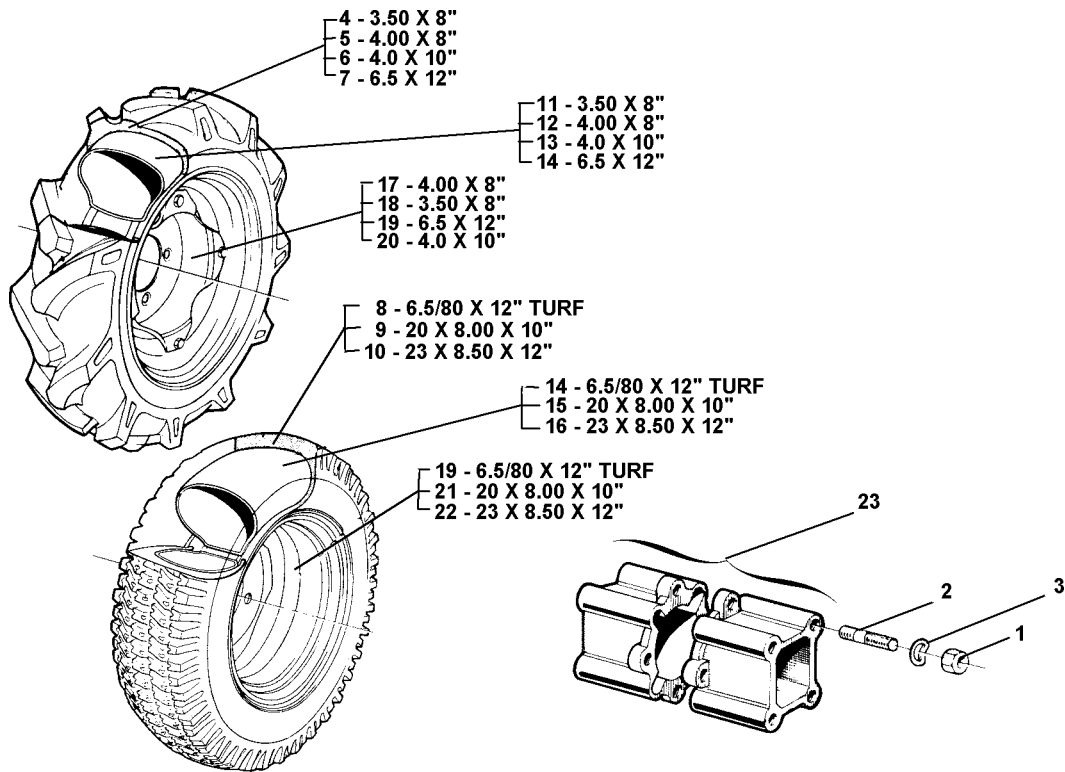
| ID | PARTNO | DESCRIPTION | DENOMINACION | NOTES |
|----|-----------|-------------------------|--------------------------|--|
| 1 | 311.11086 | SCREW TE M4 X 25 | TORNILLO TE M4 X 25 | THIS PARTS ILLUSTRATION COVERS THE OLDER STYLE ENGINE STOP CONTROLS FOR THE HANDLE BARS ON PAGE 10.00. |
| 2 | 311.11097 | SCREW TE M6 X 45 | TORNILLO TE M6 X 45 | |
| 3 | 311.31064 | SCREW TSV M6 X 40 | TORNILLO TSV M6 X 40 | |
| 4 | 312.11040 | NUT M4 | TUERCA M4 | |
| 5 | 312.41060 | NUT, SELF LOCKING M6 | TUERCA AUTOBLOC. M6 | |
| 6 | 312.41080 | NUT, SELF LOCKING M8 | TUERCA AUTOBLOC. M8 | |
| 7 | 314.11043 | FLAT WASHER 4.3 | ARANDELA PLANA 4.3 | |
| 8 | 314.11084 | WASHER, FLAT 8.4 | ARANDELA PLANA 8.4 | |
| 9 | 314.23043 | LOCK WASHER B 4.3 | ARANDELA DE RES. B 4.3 | |
| 10 | 314.23084 | WASHER, LOCK 8.4 | ARANDELA DE RES. 8.4 | |
| 11 | 342.11040 | PIN, LOCKING 4 X 20 | ESPINA DE RES. 4 X 20 | |
| 12 | 552.48484 | LOCKING LEVER | PALANCA BLOCAJE | |
| 13 | 561.48285 | PIN | PERNO | |
| 14 | 561.48286 | DRILLED PIN | PERNO FORADO | |
| 15 | 580.42167 | END, SHEATH | BULON CABLE EMBRAGUE | |
| 16 | 580.42692 | KNOB RUBBER HOLE D 25 | MANETA GOMA TALADRO D 25 | |
| 17 | 580.48002 | CABLE CLAMP | PASADOR | |
| 18 | 580.48005 | SHEATH CABLE | FILO VAINA | |
| 19 | 580.48008 | SHEATH CABLE | FILO VAINA | |
| 20 | 580.48009 | STOP SWITCH | INTERRUPTOR STOP | |
| 21 | 580.48010 | SWITCH SPRING | MUELLE PARA INTERRUPTOR | |
| 22 | 580.48011 | SWITCH CABLES | CABLES INTERRUPTOR | |
| 23 | 580.48014 | GRIP | MANIVELA | |
| 24 | 580.48015 | MOVABLE MOTOR STOP BODY | CUERPO MOTOR STOP | |
| 25 | 580.48016 | FIXED BODY | CUERPO FIJO | |
| 26 | 580.48017 | SHEATH LOCK | ESTACIONAMIENTO VAINA | |
| 27 | 580.48018 | MOVABLE BODY LOCK | ESTACIONAMIENTO CUERPO | |
| 28 | 580.48019 | SPRING | MUELLE | |
| 29 | 580.48485 | RUN-STOP LABEL | ETIQUETA RUN-STOP | |
| 30 | 581.50309 | ADJUSTING SCREW | TORNILLO REGULACION | |



| ID | PARTNO | DESCRIPTION | DENOMINACION | NOTES |
|----|-----------|---------------------------|-----------------------------|---|
| 1 | 311.11086 | SCREW TE M4 X 25 | TORNILLO TE M4 X 25 | THIS PARTS ILLUSTRATION COVERS THE HANDLEBARS FOR THE UNITS THAT USED A BRIGGS & STRATTON ENGINE. THE ACME ENGINE HANDLEBARS ARE ON PAGE 10.00 & 11.00 |
| 2 | 311.11089 | SCREW M5 X 10 | TORNILLO M5 X 10 | |
| 3 | 311.11097 | SCREW TE M6 X 45 | TORNILLO M6 X 45 | |
| 4 | 311.12091 | SCREW M6 X 40 | TORNILLO M6 X 40 | |
| 5 | 311.12154 | SCREW TE M8 X 40 | TORNILLO TE M8 X 40 | |
| 6 | 311.50361 | SCREW M6 X 25 | TORNILLO M6 X 25 | |
| 7 | 312.11040 | NUT M4 | TUERCA M4 | |
| 8 | 312.11050 | NUT M5 | TUERCA M5 | |
| 9 | 312.41060 | NUT, SELF LOCKING M6 | TUERCA AUTOBLOC. M6 | |
| 10 | 312.41080 | NUT, SELF LOCKING M8 | TUERCA AUTOBLOC. M8 | |
| 11 | 314.11043 | FLAT WASHER 4.3 | ARANDELA PLANA 4.3 | |
| 12 | 314.11064 | FLAT WASHER 6.4 X 12.5 | ARANDELA PLANA 6.4 X 12.5 | |
| 13 | 314.11130 | FLAT WASHER 13 | ARANDELA PLANA 13 | |
| 14 | 314.22064 | LOCK WASHER 6.4 | ARANDELA DE RES. 6.4 | |
| 15 | 314.23043 | LOCK WASHER 4.3 | ARANDELA DE RES. 4.3 | |
| 16 | 314.23084 | LOCK WASHER 8.4 | ARANDELA DE RES. 8.4 | |
| 17 | 379.10832 | BALL 1/4 | BOLA 1/4 RIV RB 6.35 | |
| 18 | 552.50305 | THROTTLE | MANDO GAS | |
| 19 | 552.50310 | THROTTLE LEVER | PALANCA MANDO GAS | |
| 20 | 561.47711 | PIN | PERNO | |
| 21 | 561.48037 | LEVER STOP FOR MOTOR STOP | FIJACION PALANCA MOTOR STOP | |
| 22 | 561.48040 | CLUTCH LEVER | PALANCA | |
| 23 | 561.50358 | PLATE | PLETINA | |
| 24 | 561.50361 | LEVER SPACER | SEPARADOR PALANCA | |
| 25 | 563.50306 | THROTTLE LEVER | PALANCA MANDO GAS | |
| 26 | 571.50312 | SPRING | RONDELLA | |
| 27 | 580.02429 | CLAMP, CABLE | PASADOR | |
| 28 | 580.42059 | SPRING | RONDELLA | |
| 29 | 580.43216 | CABLE, CLUTCH | CABLE Y VAINA | |
| 30 | 580.47649 | HOOK | ENGANCHE | |
| 31 | 580.47712 | MOTOR STOP SPRING | MUELLE MOTOR STOP | |
| 32 | 580.47719 | MOTOR STOP CABLES | CABLES MOTOR STOP | |
| 33 | 580.48000 | KNOB | EMPUNADURA | |
| 34 | 580.48009 | STOP SWITCH | INTERRUPTOR STOP | |
| 35 | 580.48039 | MOTOR STOP LEVER SPRING | MUELLE PALANCA MOTOR STOP | |



| ID | PART NO | DESCRIPTION | DENOMINACION | NOTES |
|----|-----------|----------------------|--------------------------|-------|
| 36 | 580.48041 | MOTOR STOP LEVER | PALANCA MOTOR STOP | |
| 37 | 580.50345 | LEVER SPRING | PALANCA | |
| 38 | 580.51601 | GAS DECAL FOR ENGINE | AUTOADHESIVO PARA MOTOR | |
| 39 | 580.51678 | THROTTLE CABLE | FILO Y VAINA GAS | |
| 40 | 581.50313 | BARREL | PASADOR | |
| 41 | 590.43288 | HANDLEBAR | MANILLAR | |
| 42 | 590.47709 | STOP SWITCH SUPPORT | SOPORTE INTERRUPTOR STOP | |



| ID | PARTNO | DESCRIPTION | DENOMINACION | NOTES |
|----|-----------|---------------------------------|--------------------------------|-------|
| 1 | 312.11100 | NUT M10 | TUERCA M10 | |
| 2 | 313.12102 | STUD M10 X 40 X 22 X 14 | PRISIONERO M10 X 40 X 22 X 14 | |
| 3 | 314.23105 | WASHER, LOCK 10.5 | ARANDELA DE RES. 10.5 | |
| 4 | 391.13502 | TIRE 3.50 8 TRAC. | CUBIERTA DE NEUMATICO 3.50 8 | |
| 5 | 391.14008 | TIRE TRACTOR 4.00 X 8 | CUBIERTA DE NEUMATICO 4.00 X 8 | |
| 6 | 391.14010 | TIRE TRACTOR 4.0 X 10 | CUBIERTA TM 4.0 X 10 | |
| 7 | 391.16018 | TIRE 6.5 X 12 | CUBIERTA 6.5 X 12 | |
| 8 | 391.16021 | TIRE 6.50/80 X 12 | CUBIERTA 6.5/80 X 12 | |
| 9 | 391.18020 | TIRE 20 X 8.00 X 10 | CUBIERTA 20 X 8.00 X 10 | |
| 10 | 391.18523 | TIRE 23 X 8.50 X 12 | CUBIERTA 23 X 8.50 X 12 | |
| 11 | 394.13502 | TUBE 3.50 8P | CAMARA DE AIRE 3.50 8P | |
| 12 | 394.14008 | TUBE 4.00 X 8 | CAMARA 4.00 X 8 | |
| 13 | 394.14010 | TUBE 4.0 X 10 | CAMARA DE AIRE 4.0 X 10 | |
| 14 | 394.16018 | TUBE 6.5 X 12 | CAMARA DE AIRE 6.5 X 12 | |
| 15 | 394.18020 | TUBE 20 X 8.00 X 10 | CAMARA DE AIRE 20 X 8.00 X 10 | |
| 16 | 394.18523 | TUBE 23 X 8.50 X 12 | CAMARA DE AIRE 23 X 8.50 X 12 | |
| 17 | 580.43250 | WHEEL, DISK, 2.50 X 8 | RUEDA EN DISCO 2.50 X 8 | |
| 18 | 580.43370 | RIM 2.50 X 8 FOR 601 | LLANTA 2.50 X 8 PARA 601 | |
| 19 | 580.44804 | RIM 5JA - 12 INCH. ADJ. TRACK | LLANTA 5JA - 12" | |
| 20 | 580.48330 | RIM 3.50 D 10 (INCH) C.VAR.COM. | LLANTA 3.50 D 10" | |
| 21 | 580.48331 | RIM 6.00 1 - 10" | LLANTA 6.00 1 - 10" | |
| 22 | 580.49795 | RIM 7.00 J - 12" | LLANTA 7.00 J - 12" | |
| 23 | 922.43685 | WHEEL SPACERS, 2.5" (PR) | SEPARADOR RUEDA, 2.5" (PR) | |